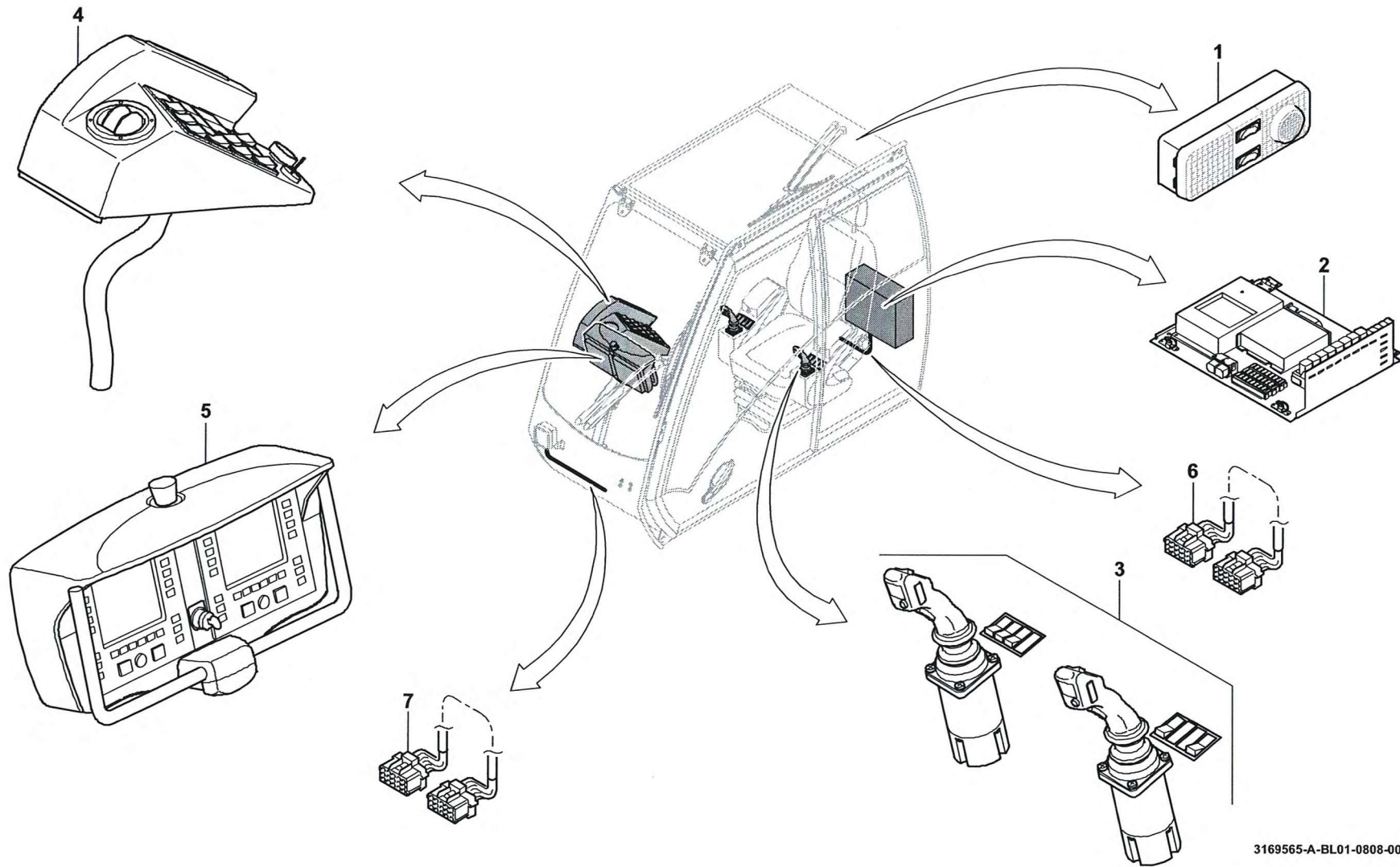


GROVEE.-ANLAGE KRANKABINE
ELECTR. CONSTRUCTION, CRANE CABINBILDTADEL
PICTORIAL DISPLAY

08.08

3169565-ETL A

1/1

GMK 5095
BE 630
G 807

3169565-A-BL01-0808-0000